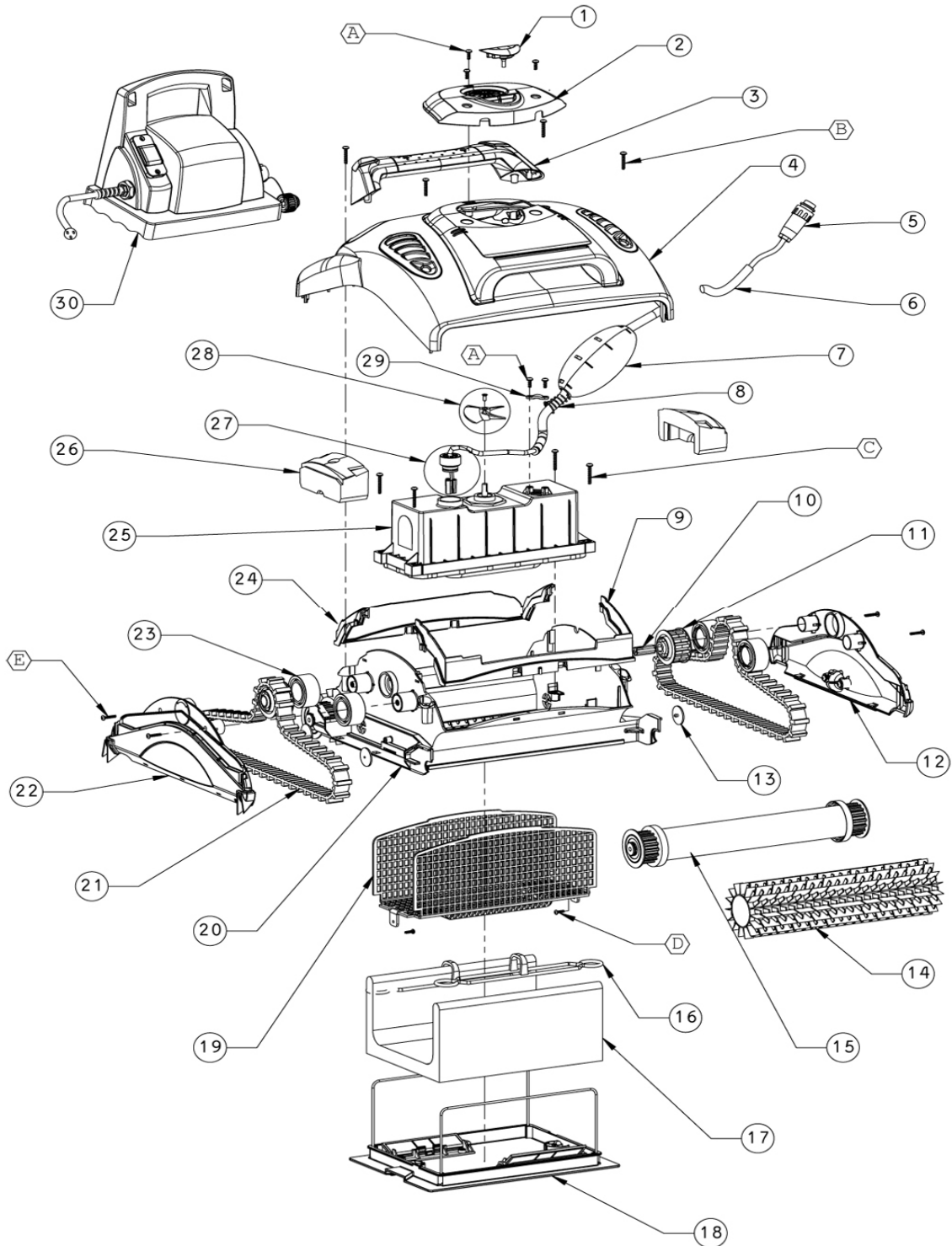




ILLUSTRATED BILL OF MATERIAL AND DISTRIBUTOR PRICE LIST:  
DOLPHIN dx3 (99996331-DX3)



December 2006 -P/No 8170107

For consumers, dolphin parts are available through Dolphin dealers and authorized repair centers. Please visit our dealer locator to find the closest Dolphin dealer in your area at:  
[http://www.maytronicsus.com/en-us/where\\_to\\_buy/store-locator/](http://www.maytronicsus.com/en-us/where_to_buy/store-locator/)

For dealers, parts are available through distribution or through Optimus at: <http://www.optimusparts.com/>

# BILL OF MATERIAL

## 99996331-DX3 - DOLPHIN dx3

Number	Child Part Number	Part Description	DIY
2	9982350	DX3 IMPELLER COVER	Y
6	9995765-DIY	CABLE ASSY DX3/DX4 17M W/CONNECTION INSTALLED	Y
14	6101602	PVC BRUSH DIAG. - GREY	Y
15	99955951-ASSY	DIAG. BASIC - WHEEL TUBE ASSY TT	Y
16	9981430	FILTER BAG CLIP	Y
17	99954301-ASSY	FILTER BAG DX3/ORION	Y
18	99919116	BOTTOM LID ASSY D.BASIC+SUPPORT	Y
19	9982300	DIAG. BASIC - FILTER SCREEN	Y
21	9985006	TIMING TRACK - GREY	Y
26	6250931	INTERNAL FLOAT	Y
28	9995269	IMPELLER+SCREW DC	Y
30	99956002RD-ASSY	DIAG.BASIC-POWER SUPPLY 115V	Y
OTHER	9991412-ASSY	DX3/DX4 CARTRIDGE ASSY & 4 FILTERS	Y